



ZHEJIANG HANGCHA IMP. & EXP. CO., LTD.

Factory site: 666 Xiangfu Road,
Hangzhou, Zhejiang, China (311305)

Tel: +86-571-88926735 88926755
Fax: +86-571-88926789 88132890

sales@hcforklift.com
www.hcforklift.com



Follow us on
Facebook



Follow us on
YouTube



Follow us on
WeChat



Available on the iPhone
App Store



ANDROID APP ON
Google play

Download "Hangcha
Forklift" App



ISO14001
ISO14001:2015



ISO9001
ISO9001:2015



HANGCHA trucks conform
to the European Safety
Requirements.

2023 VERSION 1.1 COPYRIGHT 2023/11

HANGCHA GROUP CO., LTD. reserves the right to make any changes without notice concerning colors, equipment, or specifications detailed in this brochure, or to discontinue individual models. The colors of trucks, delivered may differ slightly from those in brochures.

X Series Empty Container Handler

with capacities of 9,000kg



The World of Hangcha
SINCE 1956



X Series Empty Container Handler

A new generation high-quality professional product, which is newly developed on the basis of Hangcha's X series platforms and years of industry experience and extensively adopts advanced technologies, is mainly used in the loading, handling and stacking operations of empty 20ft and 40ft ISO containers.

Reliable

- / The gearbox(DANA), drive axle(KESSLER), engine and key hydraulic parts are all have stable and reliable quality.
- / The accumulated years of industry experience, digital product design, finite element analysis, kinematic and dynamic simulation calculation, field verification, and fatigue, overload, strain tests ensure the reliable structure of the truck.
- / The mast is made of high-strength steel and has an ultra-wide structure designed. The installation point of the inclined oil cylinder is arranged at a high position to improve the rigidity and stability of the truck.
- / The truck's heat dissipation management system automatically adjusts the heat dissipation intensity, so that each system can quickly enter the efficient operating state. The large heat dissipation capacity design ensures the requirements for the heat dissipation in high temperature environments to be met.
- / With waterproof and dust-proof design, the electrical system has higher reliability.
- / The novel spreader has a higher reliability, a longer service life, a lower failure rate and a lower maintenance cost.





Comfortable

- / The instruments with high-definition color screens display the truck status in real time and the fault alarm enable easier maintenance.
- / The new generation electronically-controlled gearbox enables flexible, smooth and comfortable gear shifting.



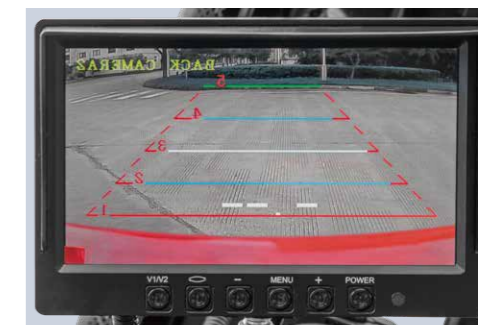
Efficient

- / The throttle following control provided for controlling the engine speed, the single-hand joystick and the electric proportional control enable flexible, accurate and efficient control.
- / Higher lifting speed and faster dynamic response enable the operation efficiency to be effectively improved.
- / Easy maintenance design a wide-opened hood, a large-space electric control box, a larger cab space, multiple hydraulic inspection points, easy access to the oil and water during inspection, and built-in diagnostic and query functions of the smart instruments.



Safe

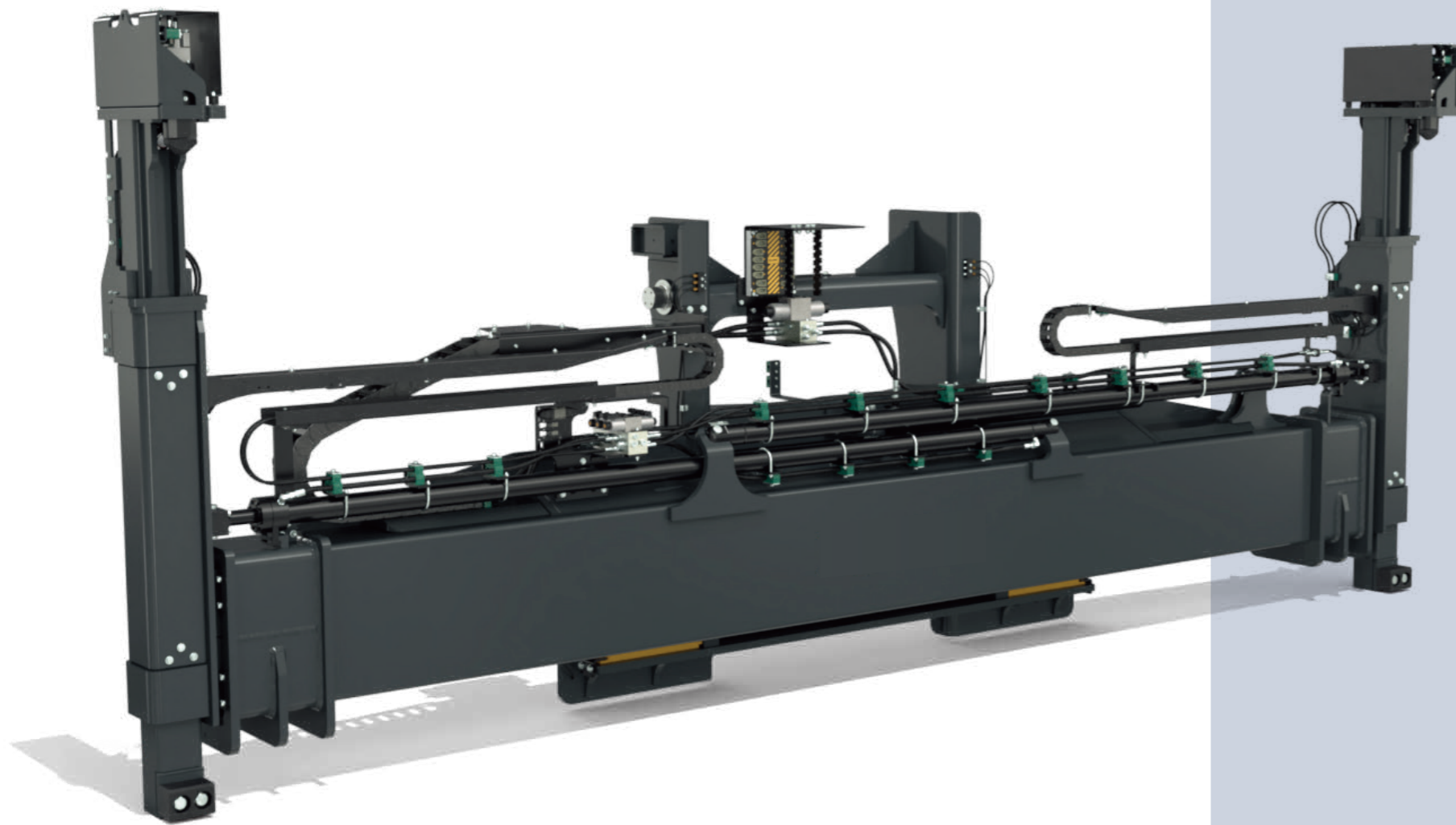
- / The spreader twist-lock equipped with mechanical and electrical protection devices, lifting interruption control, OPS system, travel speed limiting and other functions ensure safe operations.
- / The LED lighting system ensures the brightness of the lighting within the operating range.
- / A visual reversing radar is provided for the standard configuration and other options such as an automatic fire extinguishing system, tire pressure monitoring, overload protection, etc. can be provided.



Fully-suspended all-round vision cab

- / The movable fully-suspend cab, easy for maintenance.
- / With the vehicle frame damper connected and the tight sound and heat insulation design, most vibration and noise are shielded.
- / The largely-curved front and rear windows, all-glass left and right doors and large glass ceiling enable a broad view.
- / An inclinable telescopic steering column and fully-suspended adjustable seat with a high backrest and safety belt, with seat sensing and driving position sensing functions.
- / A high-power cooling and heating air conditioner, two ventilation modes - internal and external circulation, sunshades, speed-adjustable wipers and defrosting function make driving more comfortable.





TECHNICAL SPECIFICATIONS

Type of lifting system	Two vertical twistlocks
Type of stacking	Normal and block stacking
Spreader weight (TW)	3 600 kgs
Carriage weight (MPS)	1 050 kgs
Lifting capacity (SWL)	9 tonnes
Telescopic positions	20 and 40ft
Telescoping speed, 20-40ft	< 12 sec.*
Telescoping speed, 40-20ft	< 14 sec.*
Sideshift	± 600 optional ± 400 mm
Mechanical pile slope (MPS), vertical floating end-posts	At 20ft position: approx. 200 mm At 40ft position: approx. 200 mm
Hydraulics, operating pressure up to	140 bar
Hydraulics, flow	40-60 L/min
Electric - control voltage	24 VDC
Communication	CAN 2.0B
Colour	Black grey RAL 7021

* Calculated speed at 60 L/min

Single handling container spreader Vertical Twistlocks.

Suitable for:

- / 20' or 40' ISO containers of 8' (2.44 m) width.
- / Approx. 2.45-2.50 m wide "pallet-wide" 20' or 40' containers, with ISO-like 'chamfered' corner castings.
- / With speed limitation for laden/unladen.

Not suitable for:

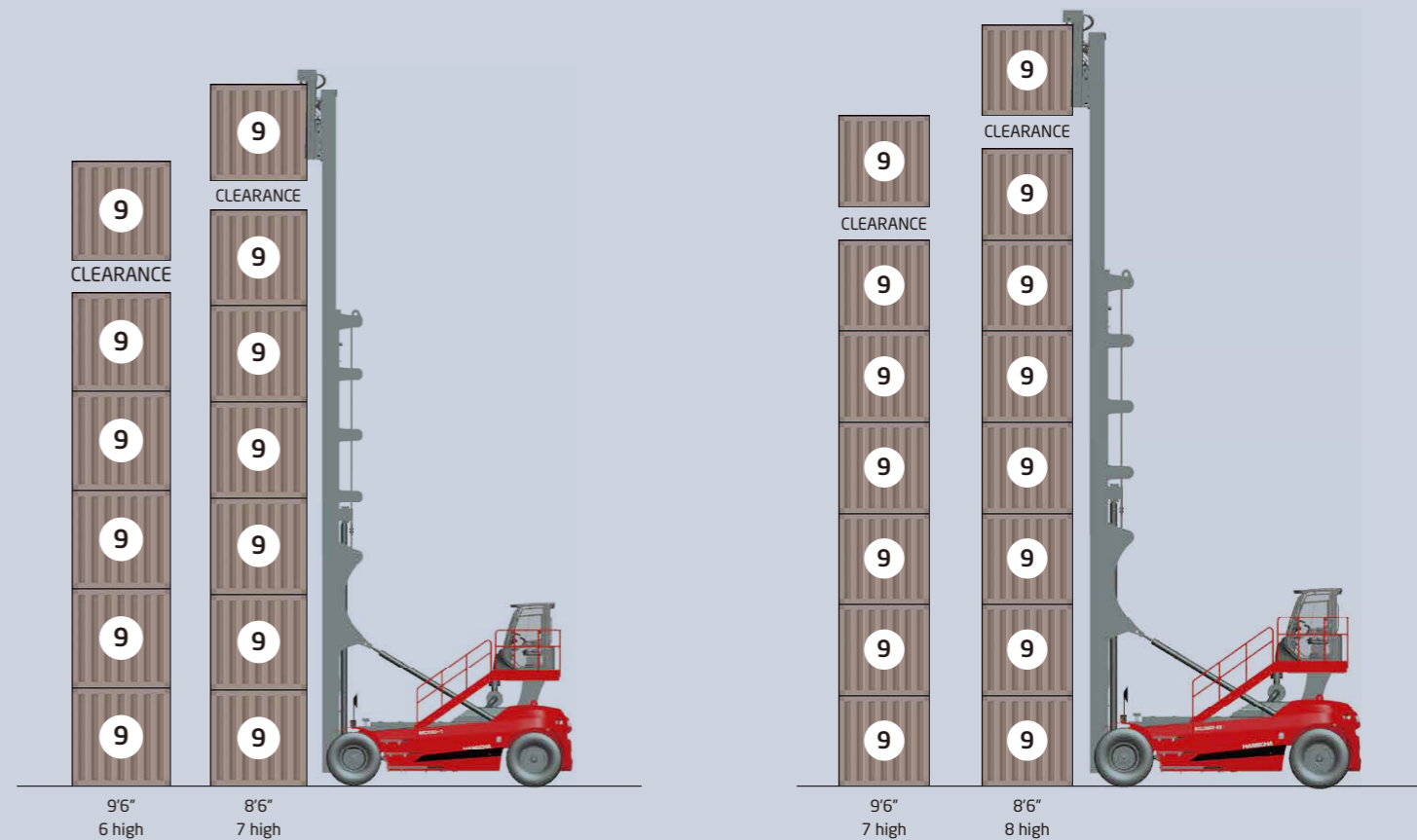
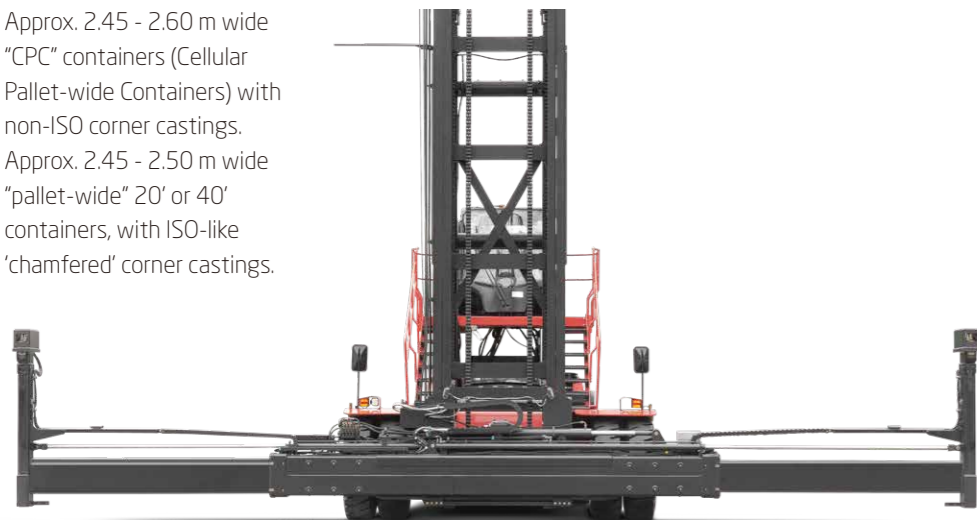
- / Approx. 2.45 - 2.60 m wide "CPC" containers (Cellular Pallet-wide Containers) with non-ISO corner castings.
- / Approx. 2.45 - 2.50 m wide "pallet-wide" 20' or 40' containers, with ISO-like 'chamfered' corner castings.



Improved design with built-in cabling and larger bending radius for hydraulic hose between pocket and end-post.



INNOVATION head.



H90EC-7-XRW83/H90EC-7-XRH10

H90EC-8-XRW83/H90EC-8-XRH10



Standard Specification

- / Duplex mast
- / Standard lifting height
- / Spreader & twistlock double protection
- / Emergency descent
- / Twistlock counter
- / 2 x Spreader twistlock light
- / Standard color
- / Vehicle toolkit
- / Pneumatic tyre
- / Fully hydraulic power steering
- / Extended exhaust pipe
- / Lockable fuel cap
- / Pre-cleaner air filter
- / Tow pin
- / Rear-view mirror on right & left mudguards
- / Integrated joystick
- / Adjustable steering column
- / Adjustable armrest
- / Operation proportion control
- / Operator Presense System (OPS) with buzzer
- / LCD display screen
- / Main power switch
- / Emergency power off switch
- / Maintenance-free 24V lead acid battery
- / Reverse buzzer
- / High decible horn
- / LED lights (entire vehicle)
- / 2 x Working light on front mudguard
- / 2 x Front working light on top of cabin
- / 2 x Rear working light on top of cabin
- / 2 x Working light on both sides of mast
- / Reverse sensor
- / Rearview camera system
- / Flashing warning light (non rotating) with control switch
- / On-board diagnostics system
- / Override switch
- / Engine fault alarm
- / Engine oil pressure alarm indicator
- / Air filter warning indicator
- / Water temperature indicator
- / Hour meter
- / Battery charge indicator
- / Low hydraulic pressure alarm indicator
- / Hydraulic oil filter warning indicator
- / Oil gauge
- / Fuel-water separator warning indicator
- / Oil temperature gauge
- / Pre-heat indicator
- / Drive mode indicator
- / Parking brake indicator
- / Service indicator
- / Cabin
- / Climate control system (air-conditioning and heater)
- / Radio
- / Sunshade
- / USB charging interface
- / Clothes hanger hook
- / Reading light
- / Fan

Options

- / Optional lifting height
- / User defined colour
- / Fire extinguisher (2kg/4kg)
- / Solid tyre
- / Centralized lubrication system (machine)
- / Spark arrester
- / Electrostatic discharge chain
- / Rearview camera system with memory
- / Front & rearview camera system
- / Front & rearview camera system with memory
- / 4 directions camera system with single display
- / 4 directions camera recording system with single display
- / In cabin CCTV
- / Rear blue safety light
- / Front and rear blue safety light
- / Three sided blue danger zone light
- / Overspeed alarm
- / Speed limitation
- / Voice reverse alarm
- / Automatic fire suppression system
- / Two-way radio
- / Weight indicator in display
- / Tyre pressure monitoring
- / 1 x 24V power supply
- / 1 x 12V power supply
- / License plate frame
- / Mast automatic vertical realignment
- / Lifting height indicator on display
- / Dynamic speed Limit depending of lift height(customer defined)

